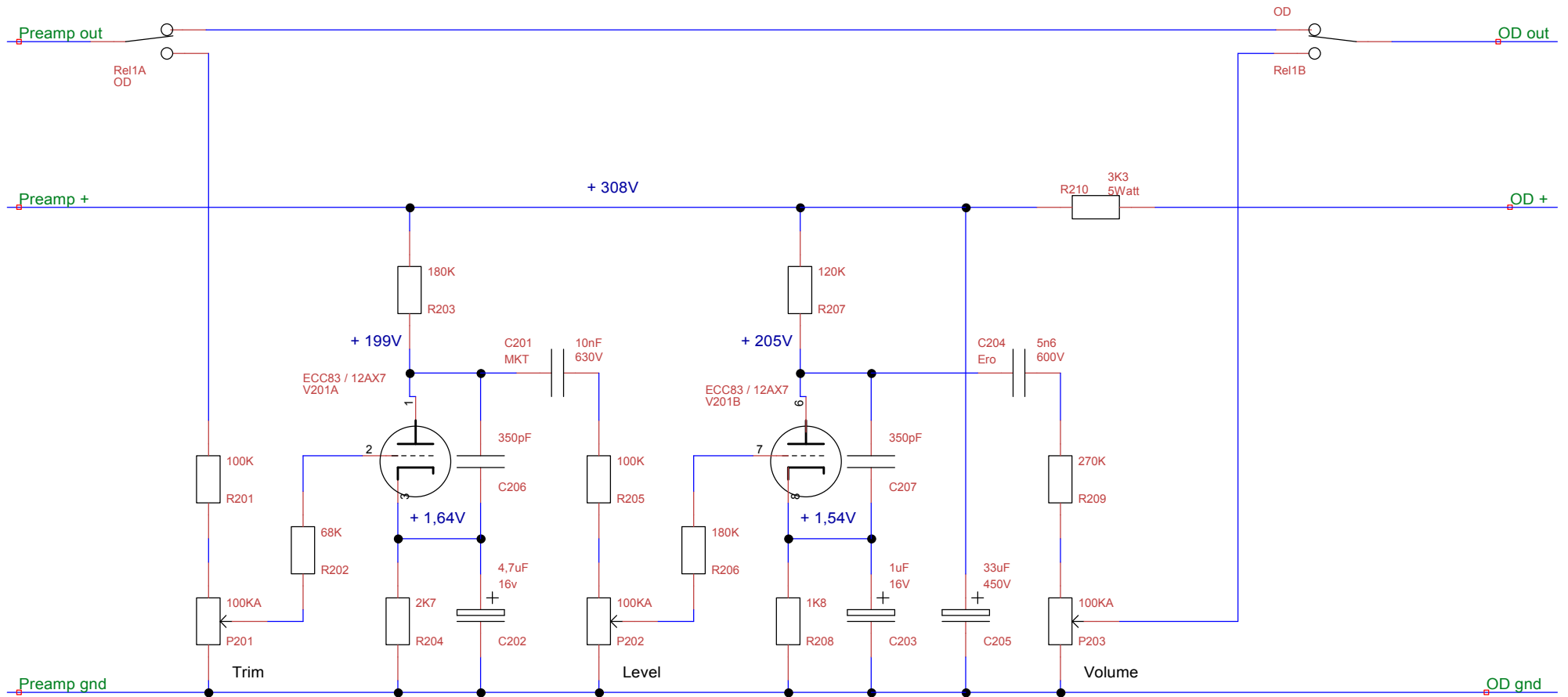


Isolate Jacks from chassis

C112 evt 1 uF voor iets minder rumble/modder

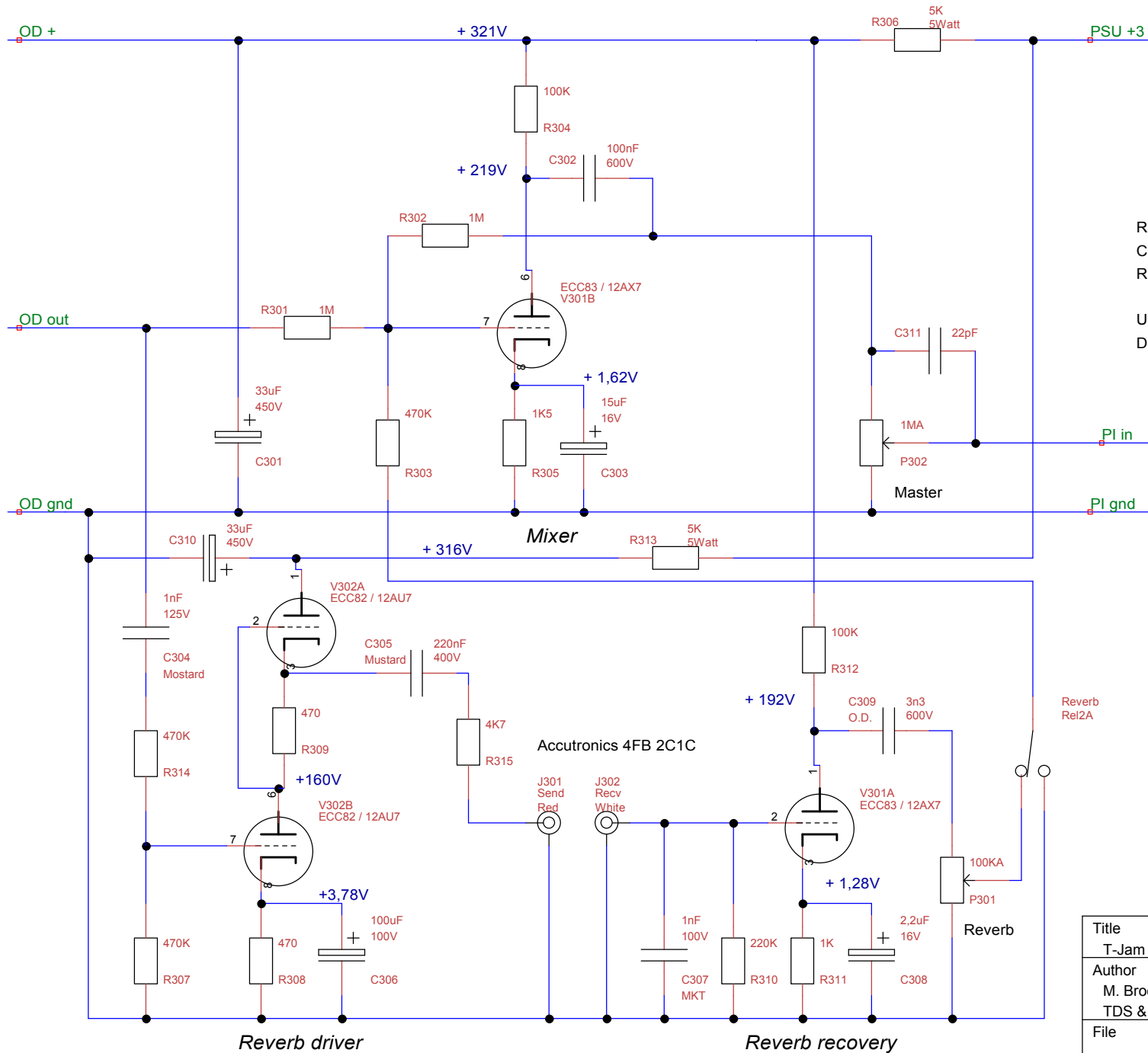
Title T-Jam 45		
Author M. Broek TDS & MBE		
File U:\tubeamps\mbse\T-Jam45\T-Jam45.dsn	Document Preamp	
Revision 1.1	Date 05-Oct-2010	Sheets 1 of 6



*Dumble OverDrive*

R203 should be metal film 180...220 K  
 C201 should be 10nF for 80Hz rolloff  
 R207 should be metal film 150 .. 180K and R208 1K8 or 2K2

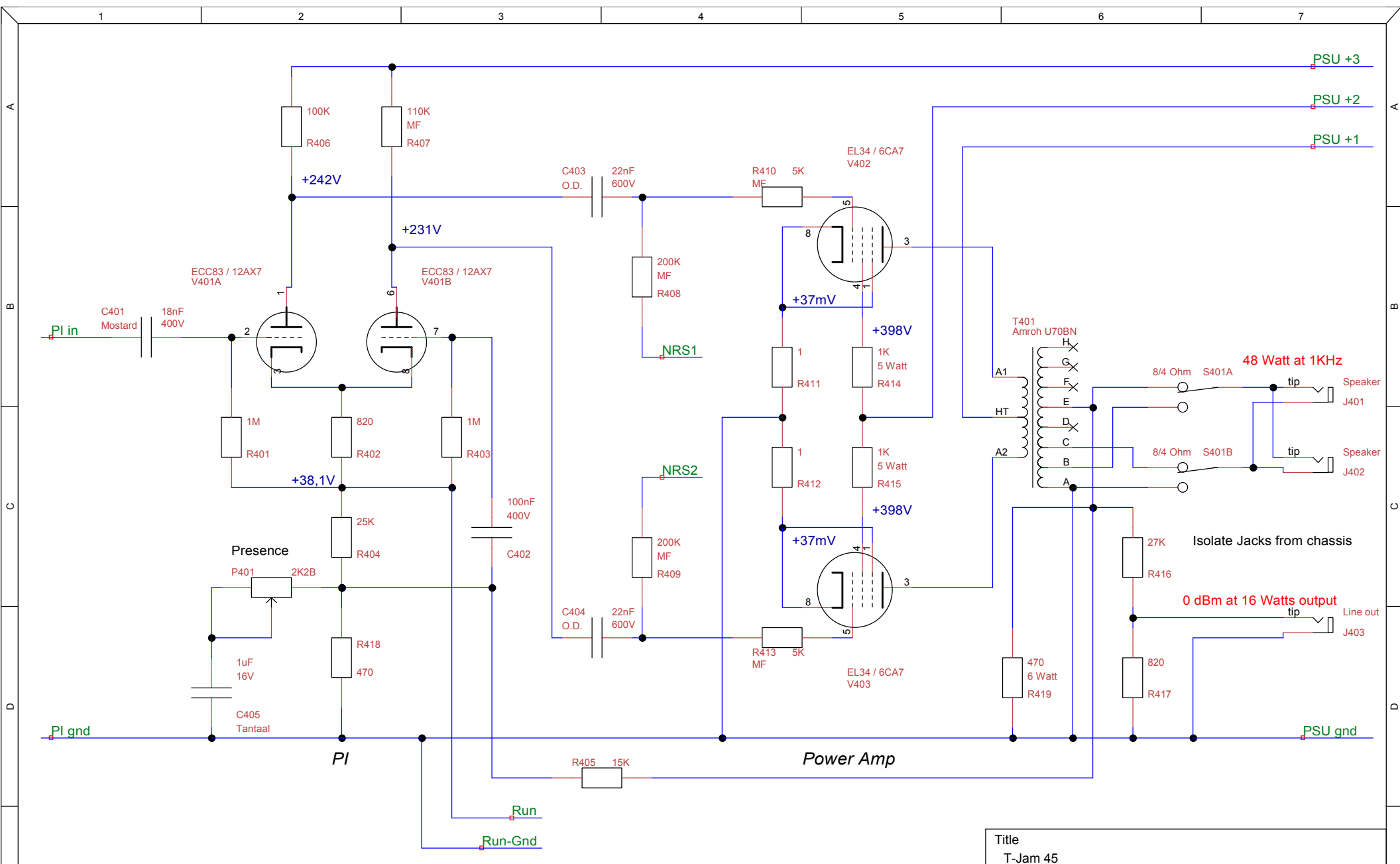
Title T-Jam 45		
Author M. Broek TDS & MBE		
File U:\tubeamps\mbse\T-Jam45\T-Jam45.dsn	Document OD	
Revision 1.1	Date 05-Oct-2010	Sheets 2 of 6



R303 possibly 680K  
 C309 now -3dB at 483 Hz  
 R315 is 3K9, replace with 4K7

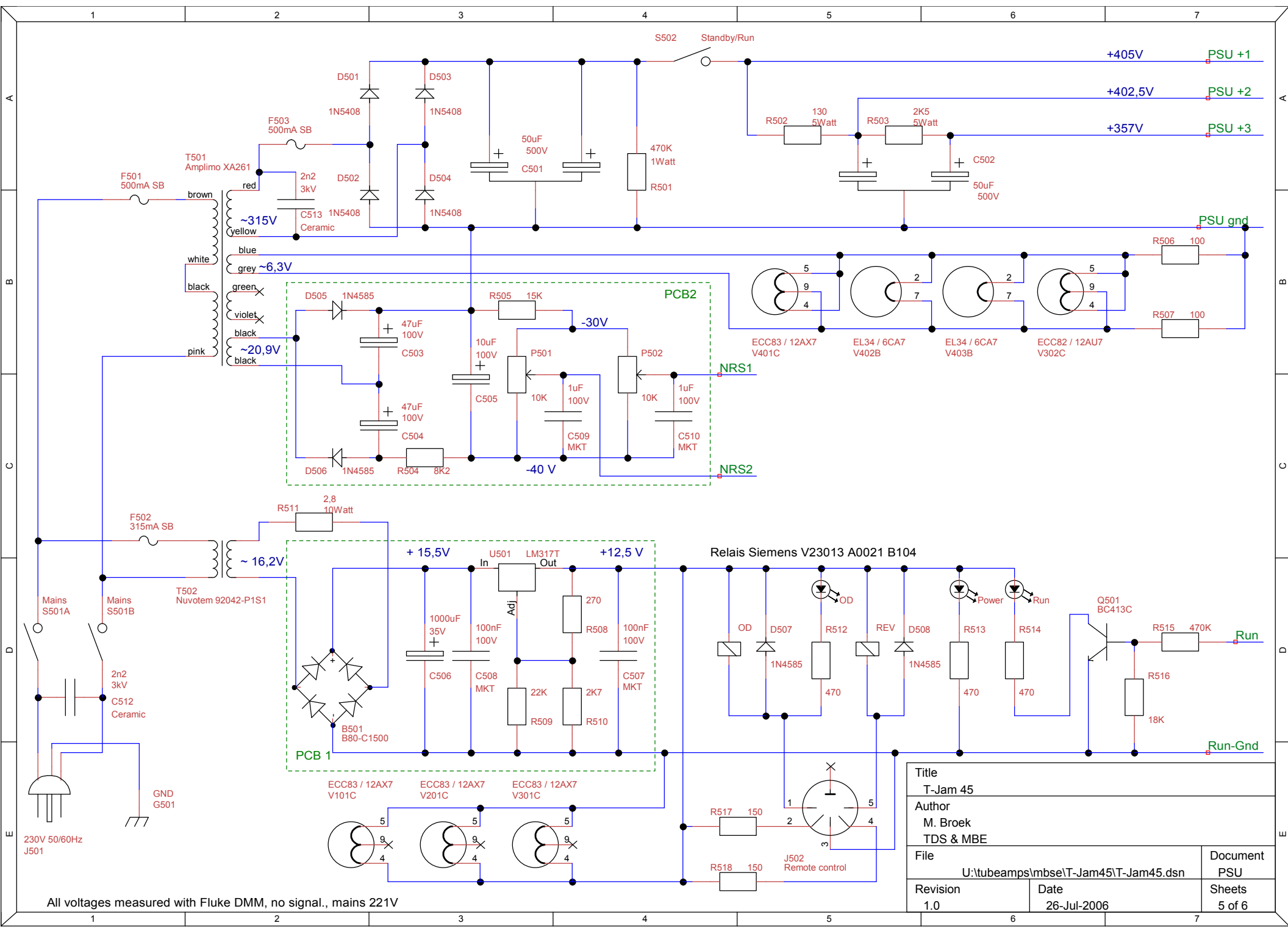
Uout at C305 must be 20 Volts undistorted  
 Drive current reverb tank 2mA

Title		
T-Jam 45		
Author		
M. Broek		
TDS & MBE		
File	U:\tubeamps\mbse\T-Jam45\T-Jam45.dsn	Document
		Reverb
Revision	Date	Sheets
1.0	25-Jun-2006	3 of 6



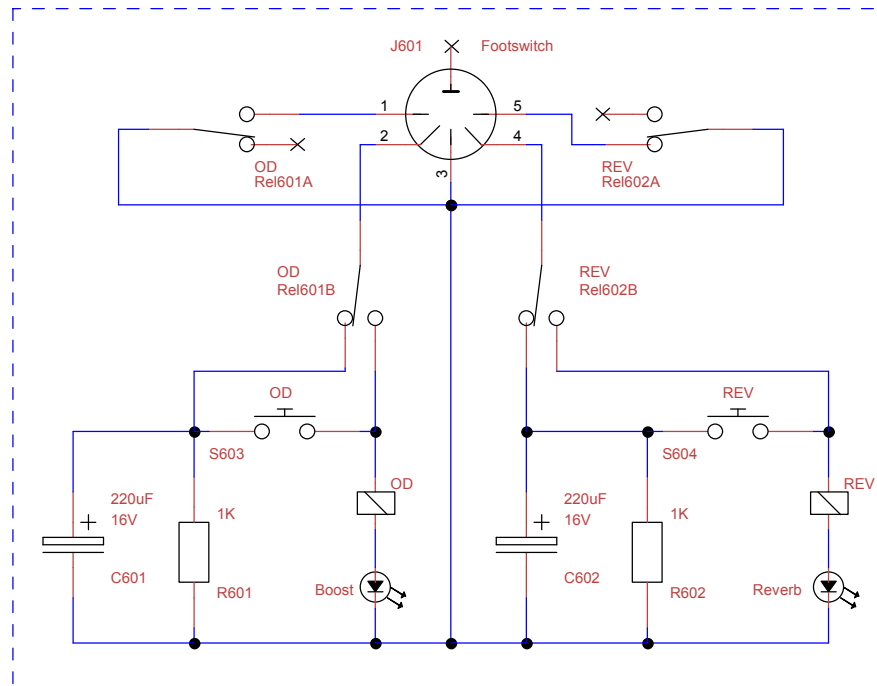
In B+ of R406 and R407 10K pot.  
 C403 and C404 should be 100nF  
 If Ia V402 and V403 becomes still too high, R411 and R412 10..22 Ohm

Title T-Jam 45		
Author M. Broek TDS & MBE		
File U:\tubeamps\mbse\T-Jam45\T-Jam45.dsn	Document Poweramp	
Revision 1.0	Date 16-Jul-2006	Sheets 4 of 6



All voltages measured with Fluke DMM, no signal., mains 221V

Title T-Jam 45		
Author M. Broek TDS & MBE		
File	U:\tubeamps\mbse\T-Jam45\T-Jam45.dsn	
Revision 1.0	Date 26-Jul-2006	Document PSU Sheets 5 of 6



Title		
T-Jam 45		
Author		
M. Broek TDS & MBE		
File	Document	
U:\tubeamps\mbse\T-Jam45\T-Jam45.dsn	Footswitch	
Revision	Date	Sheets
1.0	26-Jul-2006	6 of 6